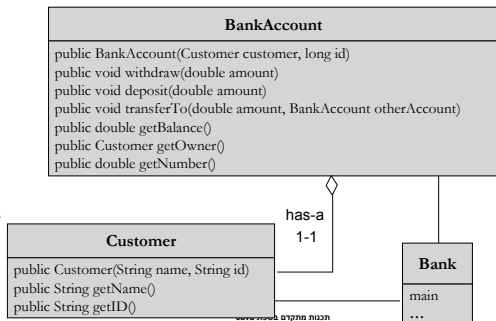


Class Diagram



תוכנה 1

תרגול 5: עצמים (חלק ב')

Toy Bank Program

```

public class Bank {
    public static void main(String[] args) {
        Customer customer1 = new Customer("Avi Cohen", "025285244");
        Customer customer2 = new Customer("Rita Stein", "024847638");
        BankAccount account1 = new BankAccount(customer1, 1234);
        BankAccount account2 = new BankAccount(customer2, 5678);
        BankAccount account3 = new BankAccount(customer2, 2984);
        account1.deposit(1000);
        account2.deposit(500);
        account1.transferTo(100, account3);
        account2.withdraw(300);
        System.out.println("account1 has " + account1.getBalance());
        System.out.println("account2 has " + account2.getBalance());
    }
}
    
```

The Customer Class

```

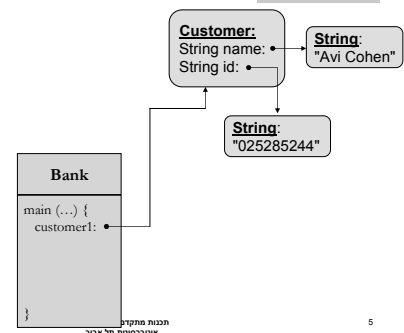
public class Customer {
    public Customer(String name, String id) {
        this.name = name;
        this.id = id;
    }
    public String getName() {
        return name;
    }
    public String getID() {
        return id;
    }
    private String name;
    private String id;
}
    
```

Toy Bank Program

```

public class Bank {
    public static void main(String[] args) {
        Customer customer1 = new Customer("Avi Cohen", "025285244");
        Customer customer2 = new Customer("Rita Stein", "024847638");
        BankAccount account1 = new BankAccount(customer1, 1234);
        BankAccount account2 = new BankAccount(customer2, 5678);
        BankAccount account3 = new BankAccount(customer2, 2984);
        account1.deposit(1000);
        account2.deposit(500);
        account1.transferTo(100, account3);
        account2.withdraw(300);
        System.out.println("account1 has " + account1.getBalance());
        System.out.println("account2 has " + account2.getBalance());
    }
}
    
```

Object Diagram



Toy Bank Program

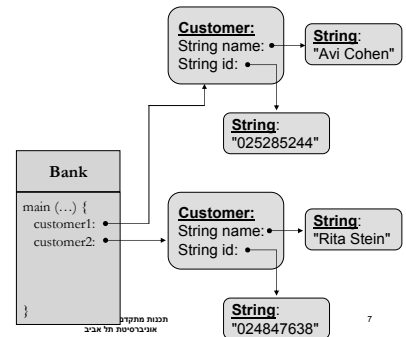
```

public class Bank {
    public static void main(String[] args) {
        Customer customer1 = new Customer("Avi Cohen", "025285244");
        Customer customer2 = new Customer("Rita Stein", "024847638");
        BankAccount account1 = new BankAccount(customer1, 1234);
        BankAccount account2 = new BankAccount(customer2, 5678);
        BankAccount account3 = new BankAccount(customer2, 2984);
        account1.deposit(1000);
        account2.deposit(500);
        account1.transferTo(100, account3);
        account2.withdraw(300);
        System.out.println("account1 has " + account1.getBalance());
        System.out.println("account2 has " + account2.getBalance());
    }
}
    
```

הנחות תחריק בשפת Java
אנליזיסיות לחי אביב

8

Object Diagram



הנחות תחריק
אנליזיסיות לחי אביב

7

Toy Bank Program

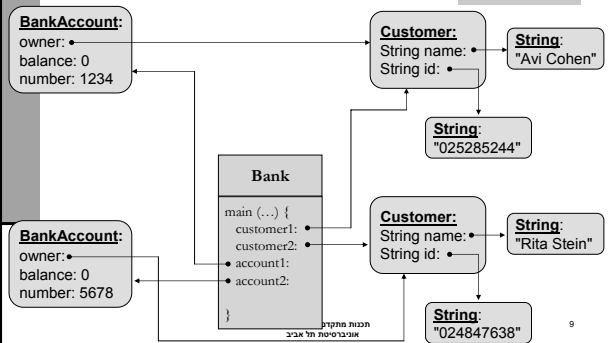
```

public class Bank {
    public static void main(String[] args) {
        Customer customer1 = new Customer("Avi Cohen", "025285244");
        Customer customer2 = new Customer("Rita Stein", "024847638");
        BankAccount account1 = new BankAccount(customer1, 1234);
        BankAccount account2 = new BankAccount(customer2, 5678);
        BankAccount account3 = new BankAccount(customer1, 2984);
        account1.deposit(1000);
        account2.deposit(500);
        account1.transferTo(100, account3);
        account2.withdraw(300);
        System.out.println("account1 has " + account1.getBalance());
        System.out.println("account2 has " + account2.getBalance());
    }
}
    
```

הנחות תחריק בשפת Java
אנליזיסיות לחי אביב

10

Object Diagram



הנחות תחריק
אנליזיסיות לחי אביב

9

Message Sequence Chart

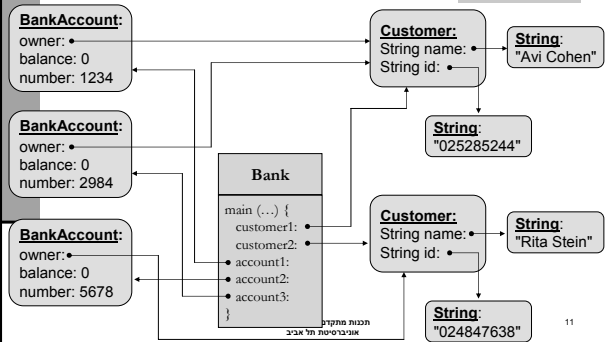
```

public class Bank {
    public static void main(String[] args) {
        Customer customer1 = new Customer("Avi Cohen", "025285244");
        Customer customer2 = new Customer("Rita Stein", "024847638");
        BankAccount account1 = new BankAccount(customer1, 1234);
        BankAccount account2 = new BankAccount(customer2, 5678);
        BankAccount account3 = new BankAccount(customer2, 2984);
        account1.deposit(1000);
        account2.deposit(500);
        account1.transferTo(100, account3);
        account2.withdraw(300);
        System.out.println("account1 has " + account1.getBalance());
        System.out.println("account2 has " + account2.getBalance());
    }
}
    
```

הנחות תחריק בשפת Java
אנליזיסיות לחי אביב

12

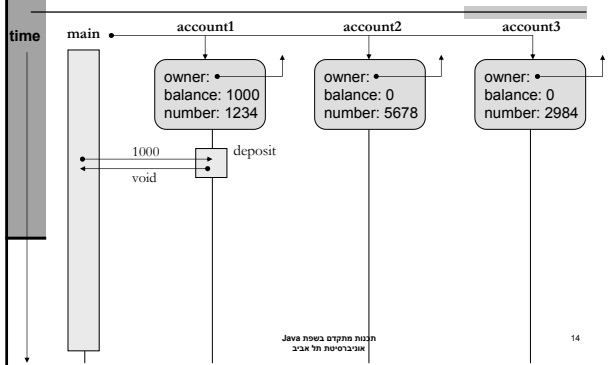
Object Diagram



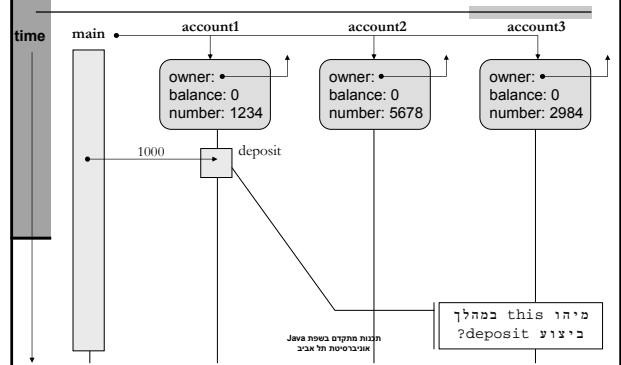
הנחות תחריק
אנליזיסיות לחי אביב

11

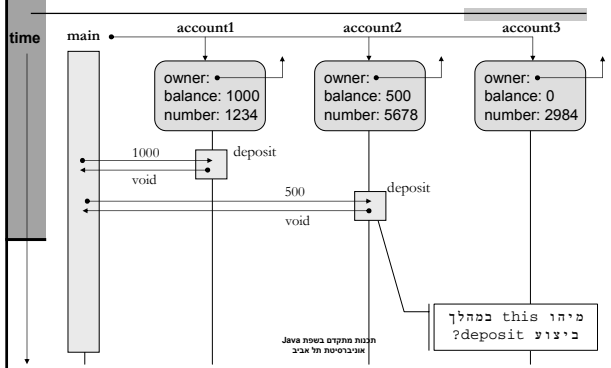
Message Sequence Chart



Message Sequence Chart



Message Sequence Chart



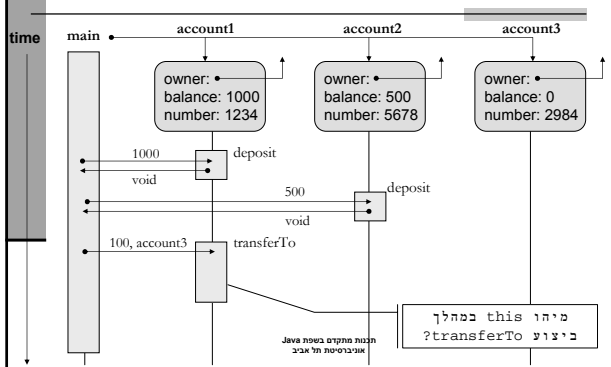
Message Sequence Chart

```
public class Bank {
    public static void main(String[] args) {
        Customer customer1 = new Customer("Avi Cohen", "025285244");
        Customer customer2 = new Customer("Rita Stein", "024847638");
        BankAccount account1 = new BankAccount(customer1, 1234);
        BankAccount account2 = new BankAccount(customer2, 5678);
        BankAccount account3 = new BankAccount(customer2, 2984);

        account1.deposit(1000);
        account2.deposit(500);
        account1.transferTo(100, account3);
        account2.withdraw(300);

        System.out.println("account1 has " + account1.getBalance());
        System.out.println("account2 has " + account2.getBalance());
    }
}
```

Message Sequence Chart



Message Sequence Chart

```
public class Bank {
    public static void main(String[] args) {
        Customer customer1 = new Customer("Avi Cohen", "025285244");
        Customer customer2 = new Customer("Rita Stein", "024847638");
        BankAccount account1 = new BankAccount(customer1, 1234);
        BankAccount account2 = new BankAccount(customer2, 5678);
        BankAccount account3 = new BankAccount(customer2, 2984);

        account1.deposit(1000);
        account2.deposit(500);
        account1.transferTo(100, account3);
        account2.withdraw(300);

        System.out.println("account1 has " + account1.getBalance());
        System.out.println("account2 has " + account2.getBalance());
    }
}
```

Message Sequence Chart

```

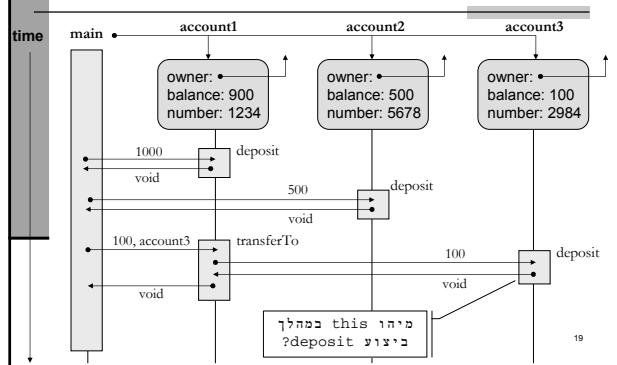
public class Bank {
    public static void main(String[] args) {
        Customer customer1 = new Customer("Avi Cohen", "025285244");
        Customer customer2 = new Customer("Rita Stein", "024847638");
        BankAccount account1 = new BankAccount(customer1, 1234);
        BankAccount account2 = new BankAccount(customer2, 5678);
        BankAccount account3 = new BankAccount(customer2, 2984);

        account1.deposit(1000);
        account2.deposit(500);
        account1.transferTo(100, account3);
        account2.withdraw(300);
        System.out.println("account1 has " + account1.getBalance());
        System.out.println("account2 has " + account2.getBalance());
    }
}
    
```

הגות תהיה בשפת Java
אנליזיסית תל אביב

20

Message Sequence Chart



19

Output

```

public class Bank {
    public static void main(String[] args) {
        Customer customer1 = new Customer("Avi Cohen", "025285244");
        Customer customer2 = new Customer("Rita Stein", "024847638");
        BankAccount account1 = new BankAccount(customer1, 1234);
        BankAccount account2 = new BankAccount(customer2, 5678);
        BankAccount account3 = new BankAccount(customer2, 2984);

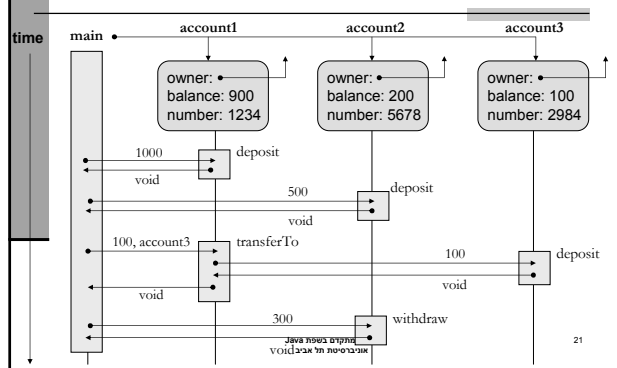
        account1.deposit(1000);
        account2.deposit(500);
        account1.transferTo(100, account3);
        account2.withdraw(300);
        System.out.println("account1 has " + account1.getBalance());
        System.out.println("account2 has " + account2.getBalance());
    }
}
    
```

output: account1 has 900.0
account2 has 200.0

הגות תהיה בשפת Java
אנליזיסית תל אביב

22

Message Sequence Chart



21