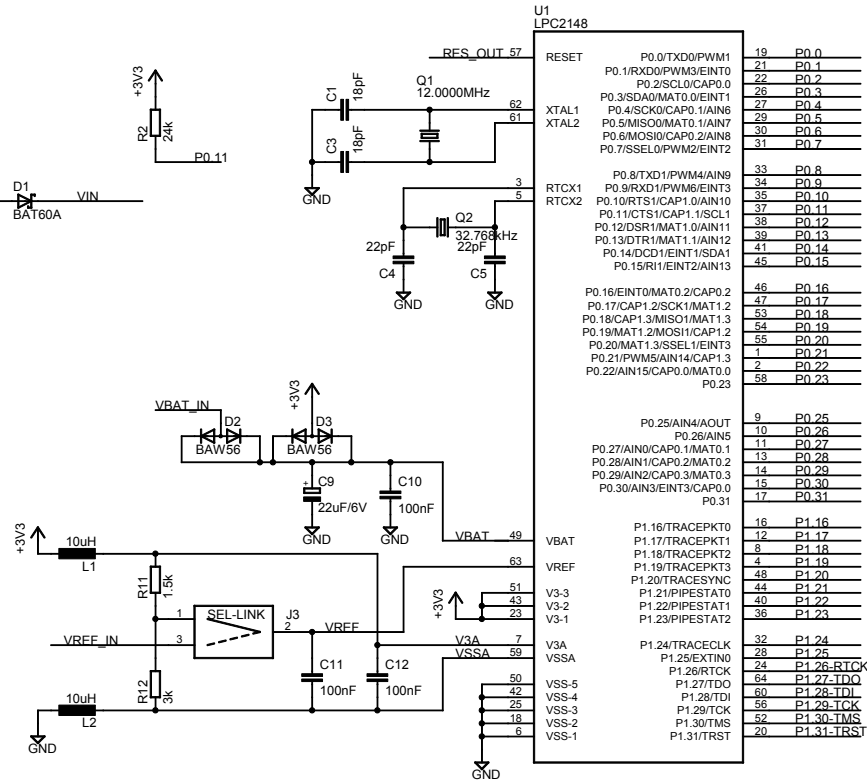
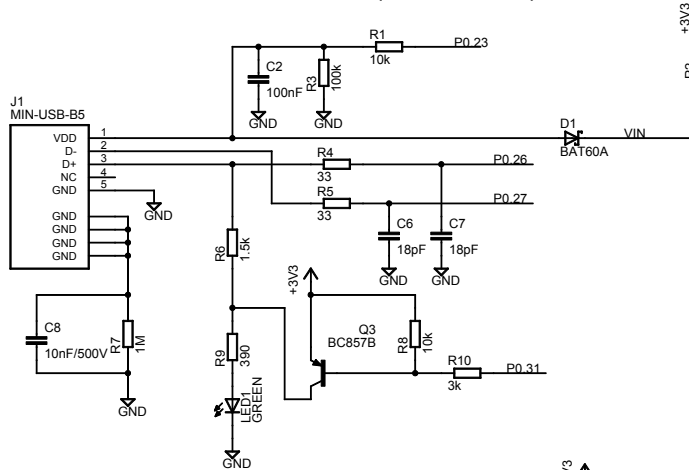
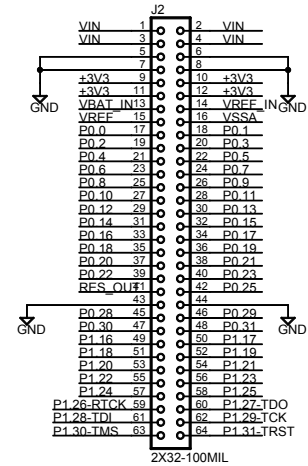


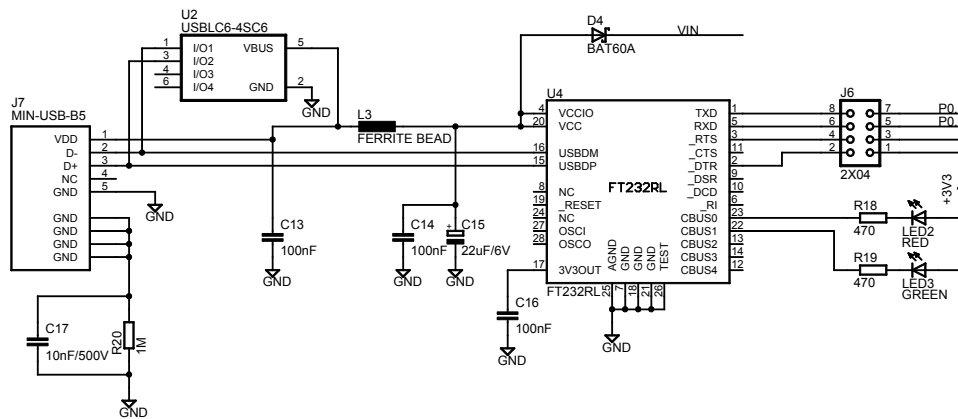
USB Device Interface (of LPC2148)



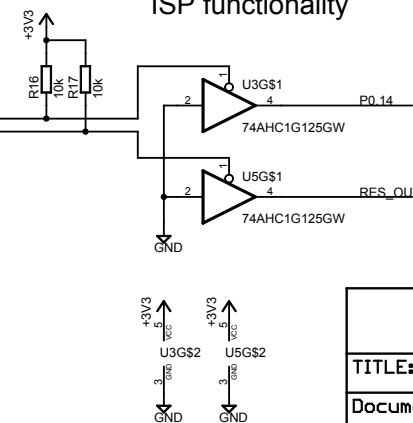
Expansion Connector



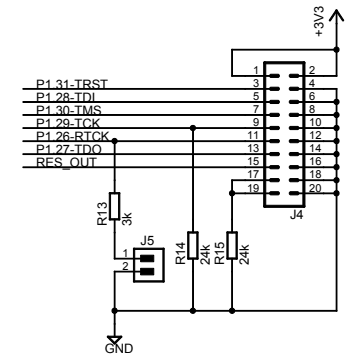
UART #0 over USB Serial Bridge



ISP functionality

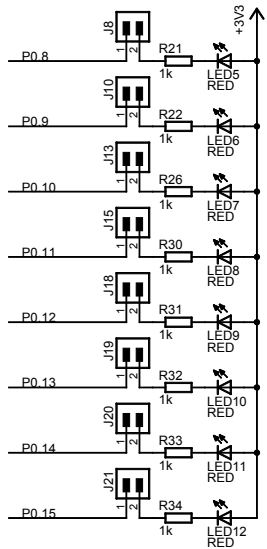


JTAG Interface

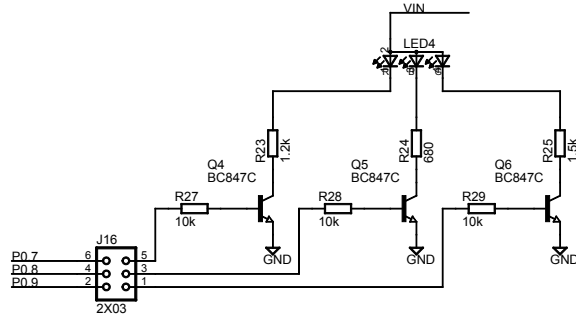


TITLE: v2.1.0	
Document Number:	REV:
Date: not saved!	Sheet: 1/4

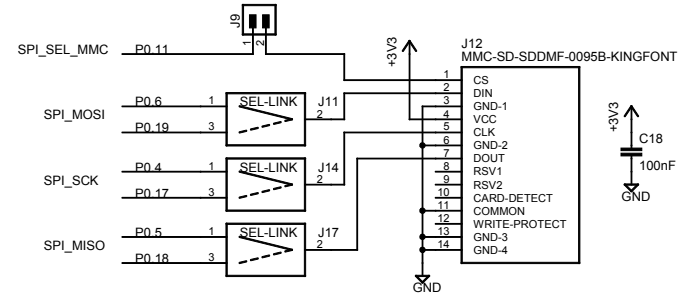
8 LEDs



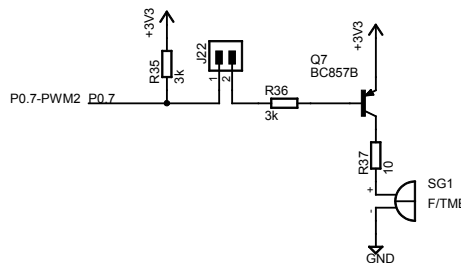
RGB-LED



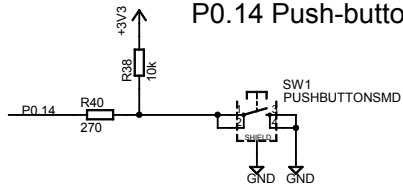
MMC/SD Memory Card Interface



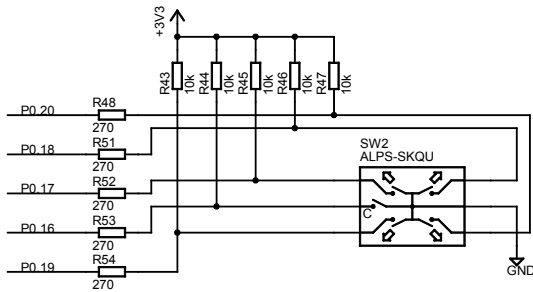
Buzzer



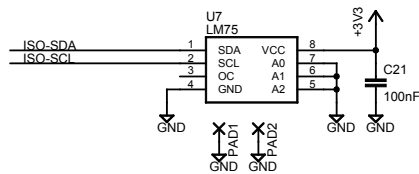
P0.14 Push-button



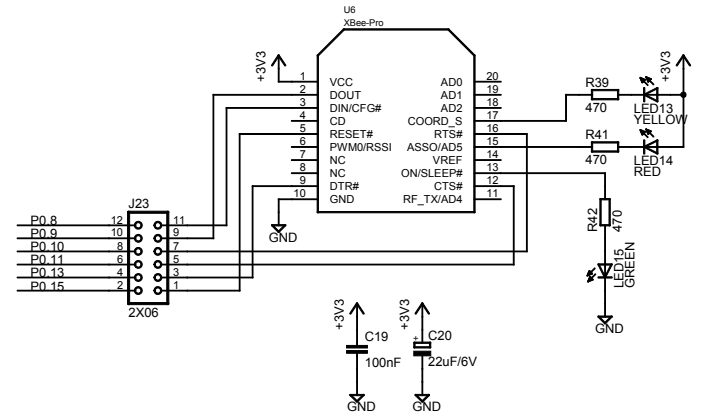
Joystick Switch



LM75 I2C Temperature Sensor

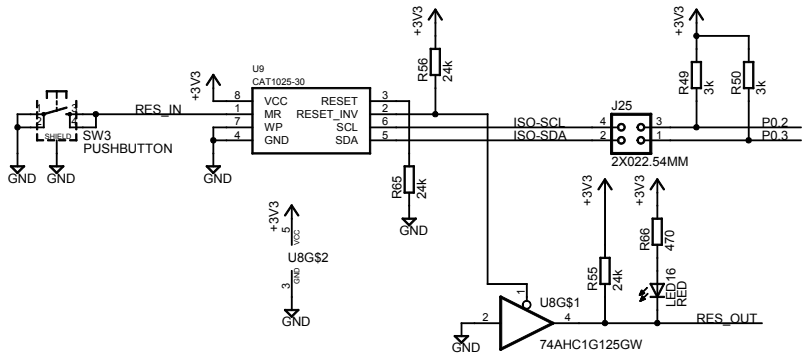


MaxStream XBee module

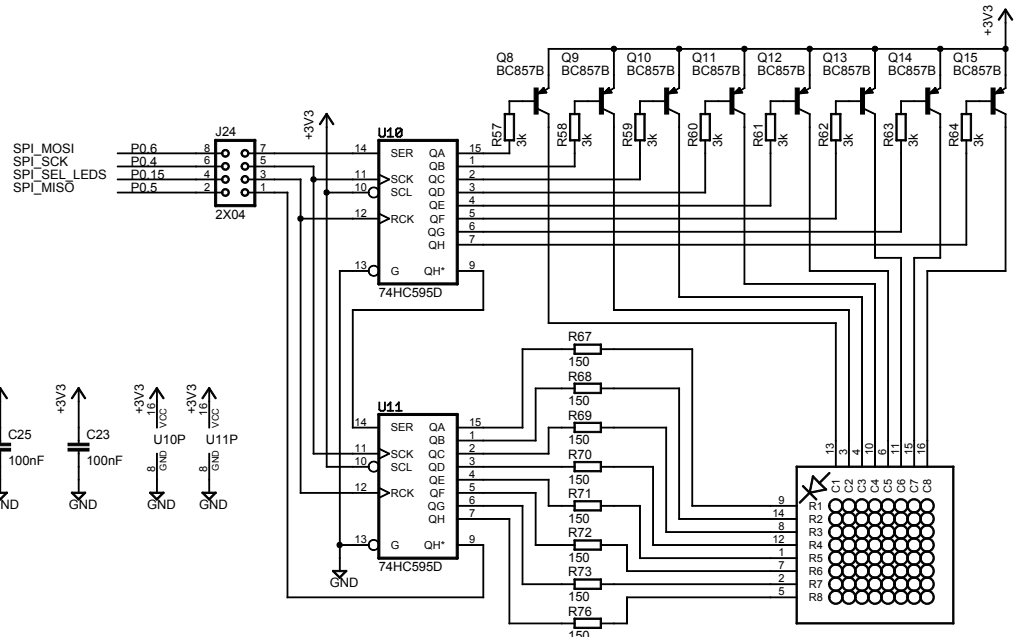


TITLE: v2.1.0	
Document Number:	REV:
Date: not saved!	Sheet: 2/4

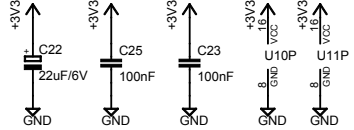
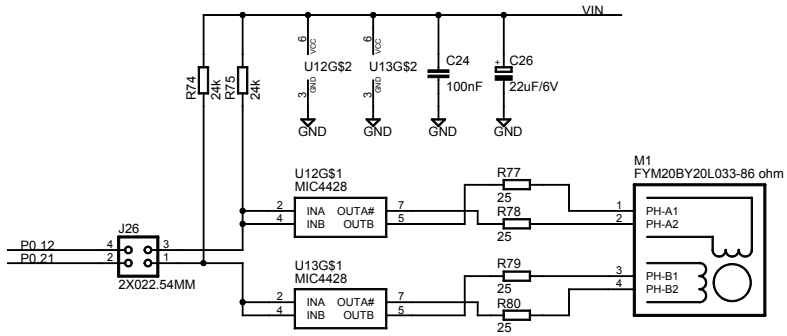
I2C-E2PROM and RESET



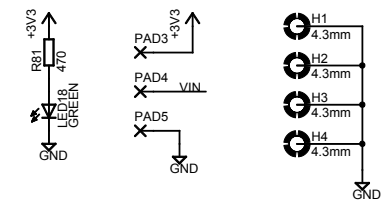
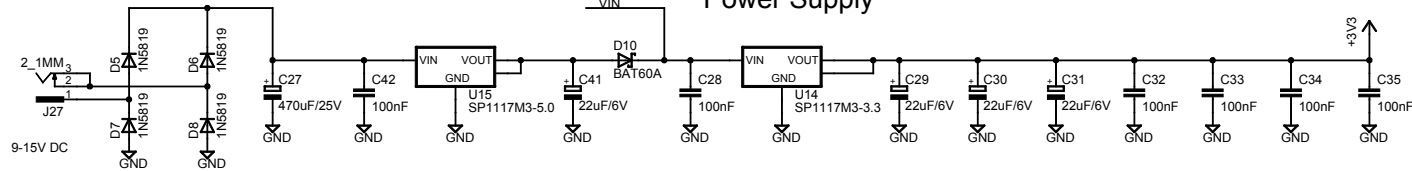
8x8 LED Matrix



Step Motor Control

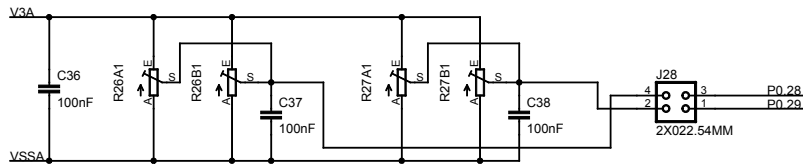


Power Supply

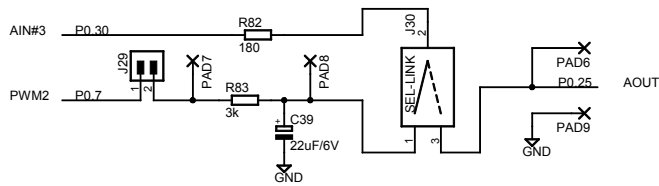


TITLE: v2.1.0	
Document Number:	REV:
Date: not saved!	Sheet: 3/4

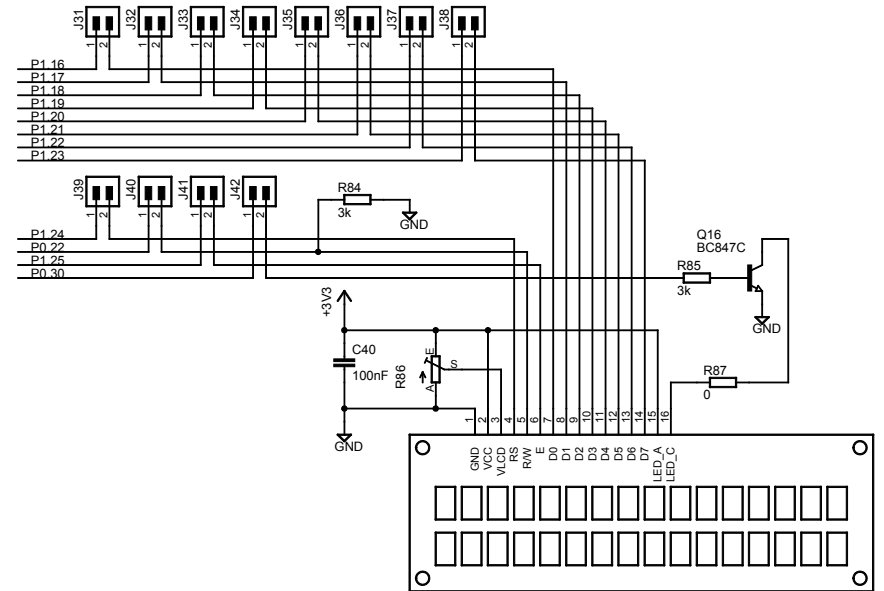
2 Analog Inputs



Analog Output (PWM LP filtering)



2x16 Character LCD Interface



TITLE: v2.1.0	
Document Number:	REV:
Date: not saved!	Sheet: 4/4