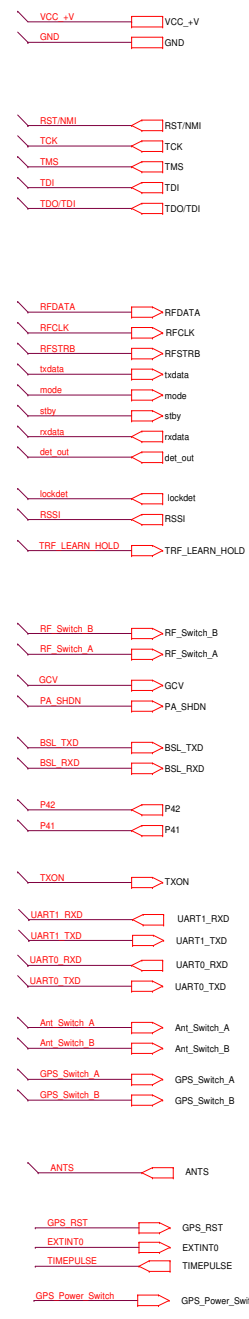
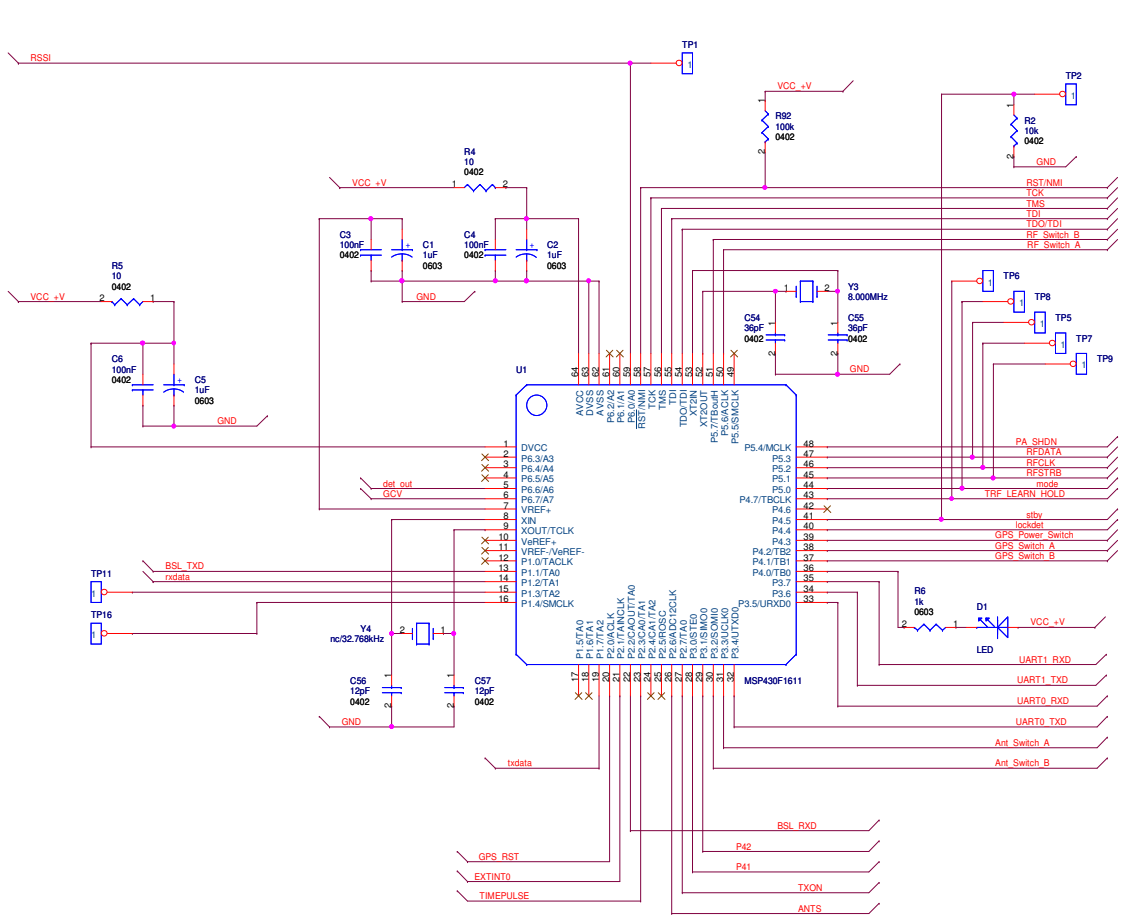
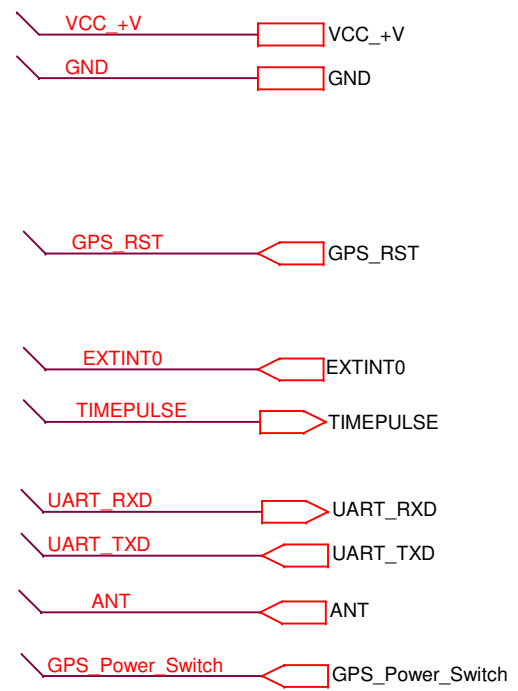
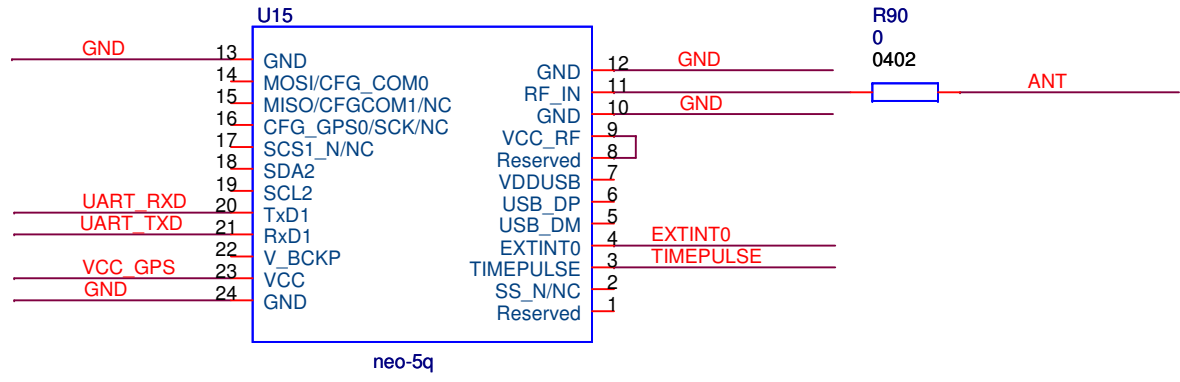
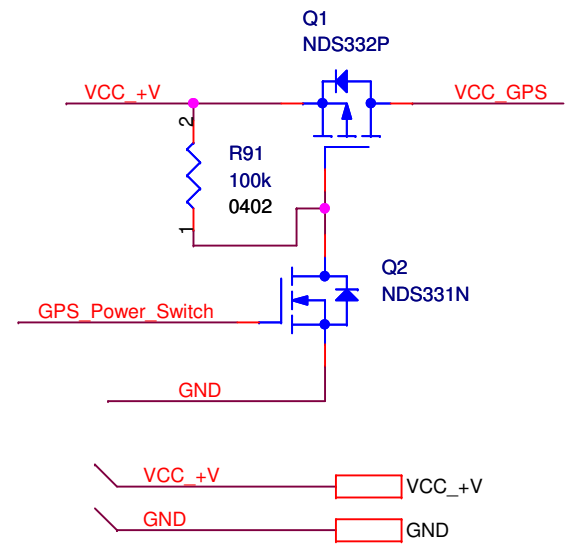
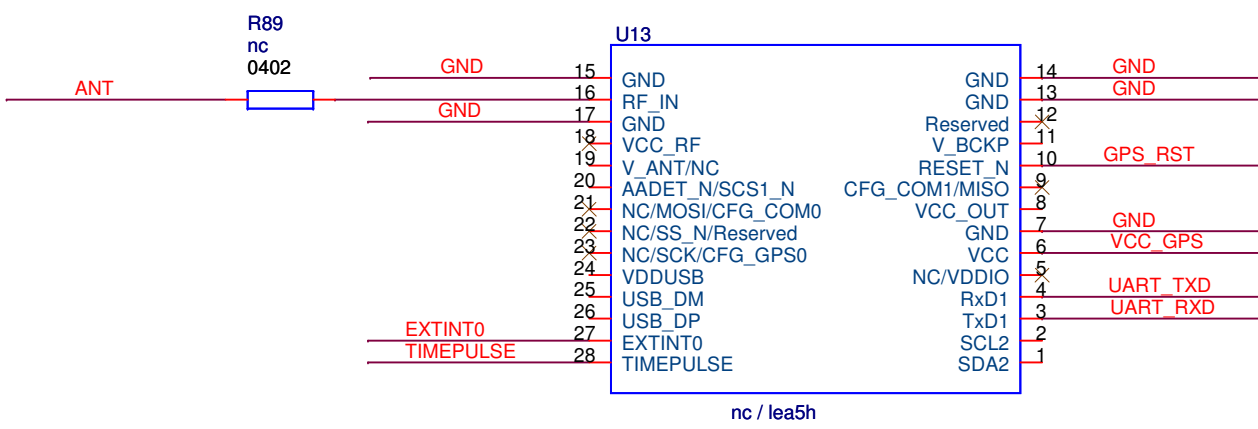
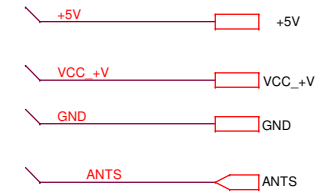
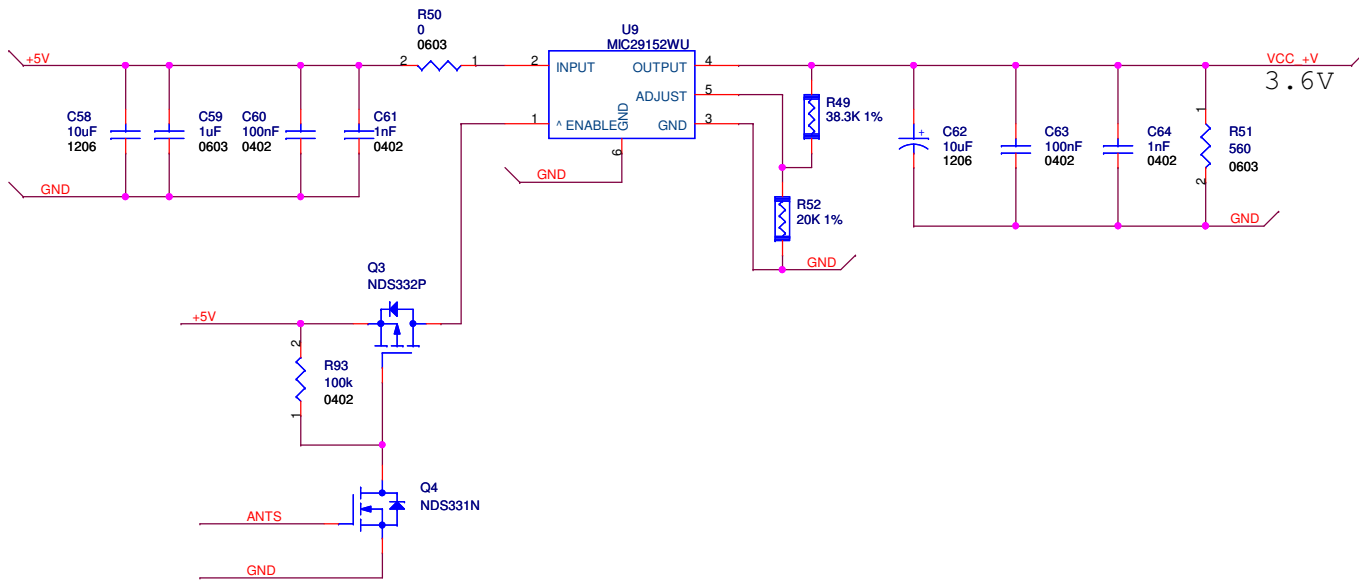


Virtual Extension		
Title Main Drawing Version 2.00		
Size B	Document Number Main Drawing 1	Rev A
Date:	Thursday, August 11, 2011	Sheet 1 of 6





Virtual Extension		
Title GPS Version 2.00		
Size A	Document Number <Doc>	Rev A
Date:	Monday, July 05, 2010	Sheet 3 of 6



Virtual Extension		
Title Power supply Version 2.00		
Size B	Document Number Power supply	Rev A
Date: Thursday, July 14, 2011	Sheet 4	of 6